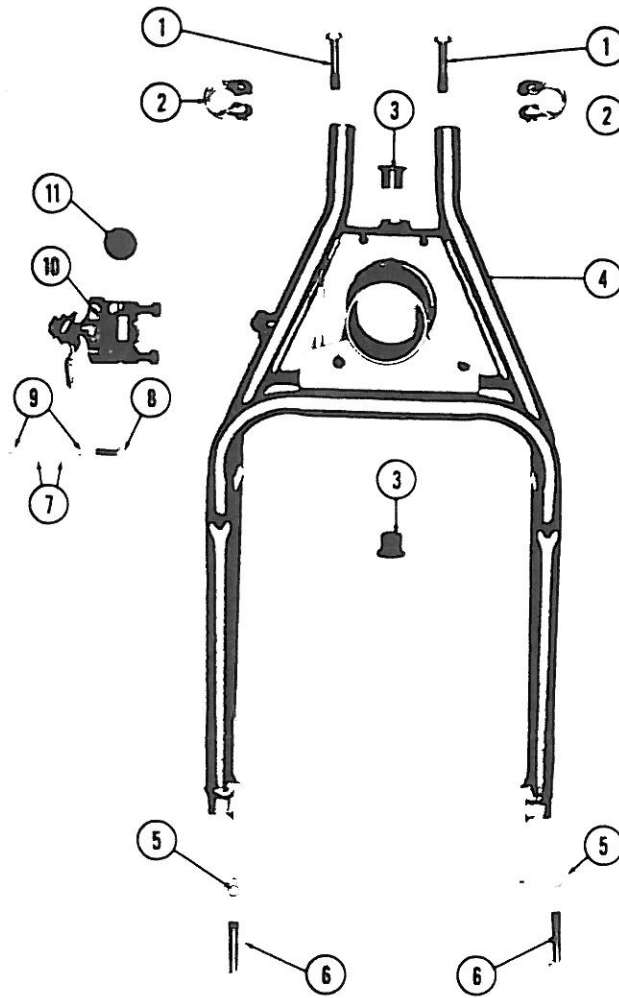


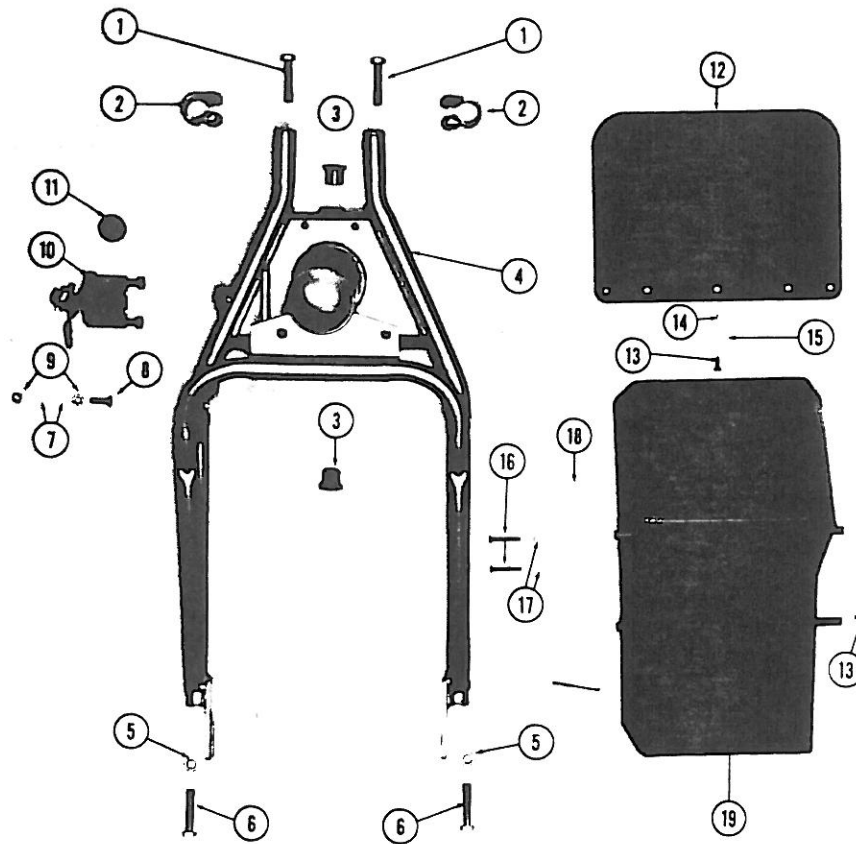
FRONT FORK - MK III EXP.



FRONT FORK — MK III EXP.

ITEM	PART NO.	NAME	DESCRIPTION	QTY.
1	100573	Screw	$\frac{3}{8}$ — 24 x $1\frac{3}{4}$	2
2	100031	Handle Bar Clamp		2
3	100097	King Pin Bushing		2
4	100642	Front Fork — Weldment	MK III Exp.	1
5	100036	Nut	$\frac{3}{8}$ — 24 Jam	2
6	100036	Screw <i>101181</i>	$\frac{3}{8}$ — 24 x $1\frac{3}{4}$	2
7	100254	Washer	$\frac{1}{4}$ Flat	2
8	100509	Screw	$\frac{1}{4}$ — 28 x $\frac{3}{4}$ W/Hole	1
9	100169	Nut	$\frac{1}{4}$ — 28 Hex	2
10	100131	Brake Caliper		1
11	100481	Brake Puck		1
12	100119	Front Fork Assy.	Incl. Items — 3 & 4 N.S.	2
		* Not Supplied as a single part	X - Assembly N.S. - Not Shown	

FRONT FORK - MK IV STD. & MK IV AUTO.



FRONT FORK — MK IV STD. & MK IV AUTO.

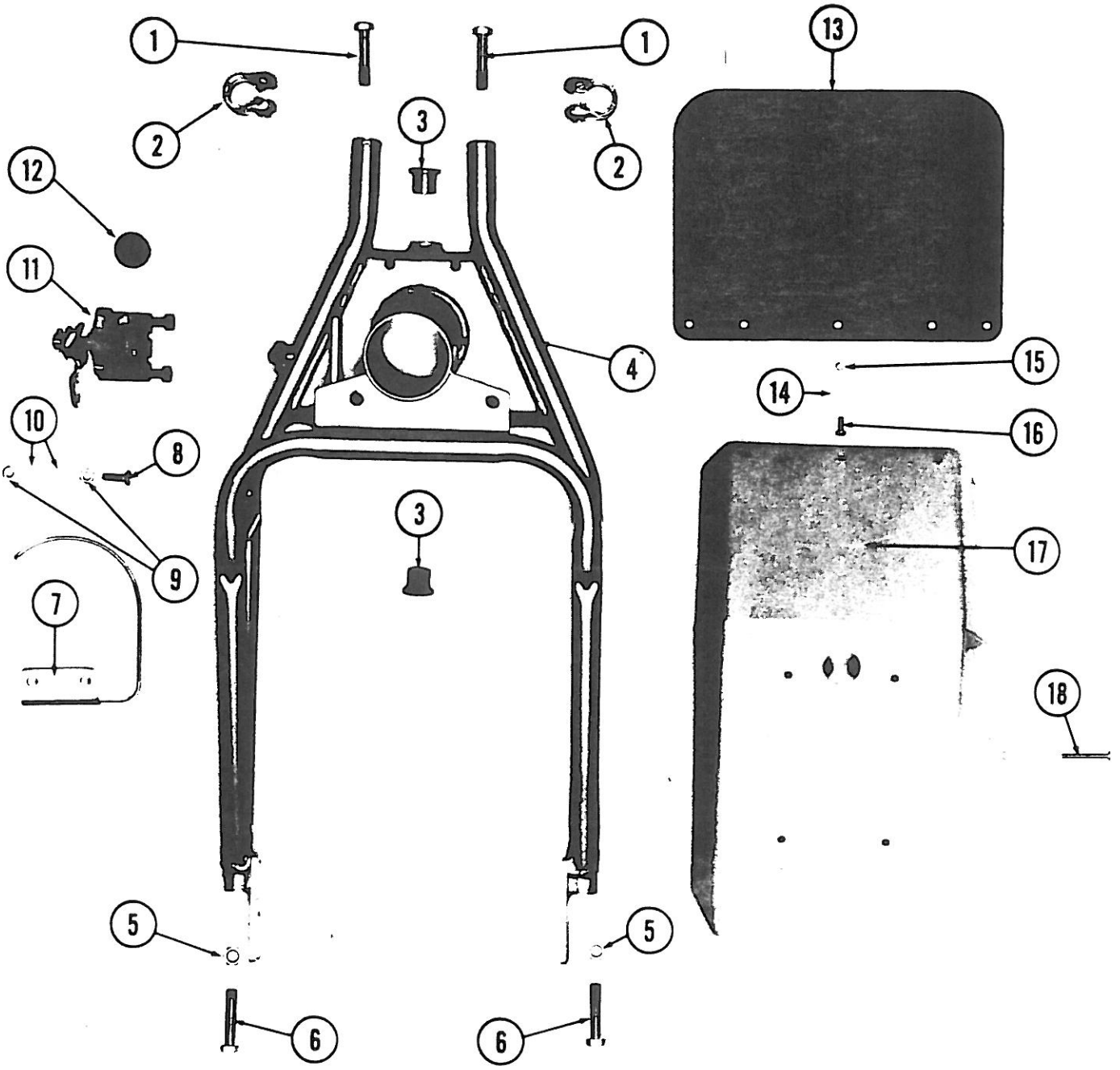
ITEM	PART NO.	NAME	DESCRIPTION	QTY.
1	100573	Screw	$\frac{3}{8}$ — 24 x $1\frac{3}{4}$	2
2	100031	Handle Bar Clamp		2
3	100097	King Pin Bushing		2
4	100676	Front Fork	Mk IV Std. & Auto.	1
5	100036	Nut	$\frac{3}{8}$ — 24 Jam	2
6	100036	Screw 101181	$\frac{3}{8}$ — 24 x $1\frac{3}{4}$	2
7	100254	Washer	$\frac{1}{4}$ Flat	2
8	100509	Screw	$\frac{1}{4}$ — 28 x $\frac{3}{4}$ w/hole	1
9	100169	Nut	$\frac{1}{4}$ — 28 Hex	2
10	100131	Brake Caliper		1
11	100481	Brake Puck		2
12	100427	Mud Flap		1
13	100034	Screw	Pan Head 10-32 x $\frac{1}{2}$	5
14	100037	Nut	10 — 32	5
15	100165	Washer	± 10 Flat	5
16	100284	Screw	10 — 32 x $1\frac{1}{4}$	2
17	100037	Lock Nut	10 — 32 — self lock	2
18	100432	Sprocket Guard		1
19	100396	Front Fender — Weldment	Mk IV Std. & Auto	1
20	100675	Front Fork Assy.	Incl. Items — 1, 3, 4, 5, 7, 8, 9, 10 N. S.	

* Not Supplied as a single part

X - Assembly

N.S. - Not Shown

FRONT FORK - MK III AUTO.



FRONT FORK — MK III AUTO

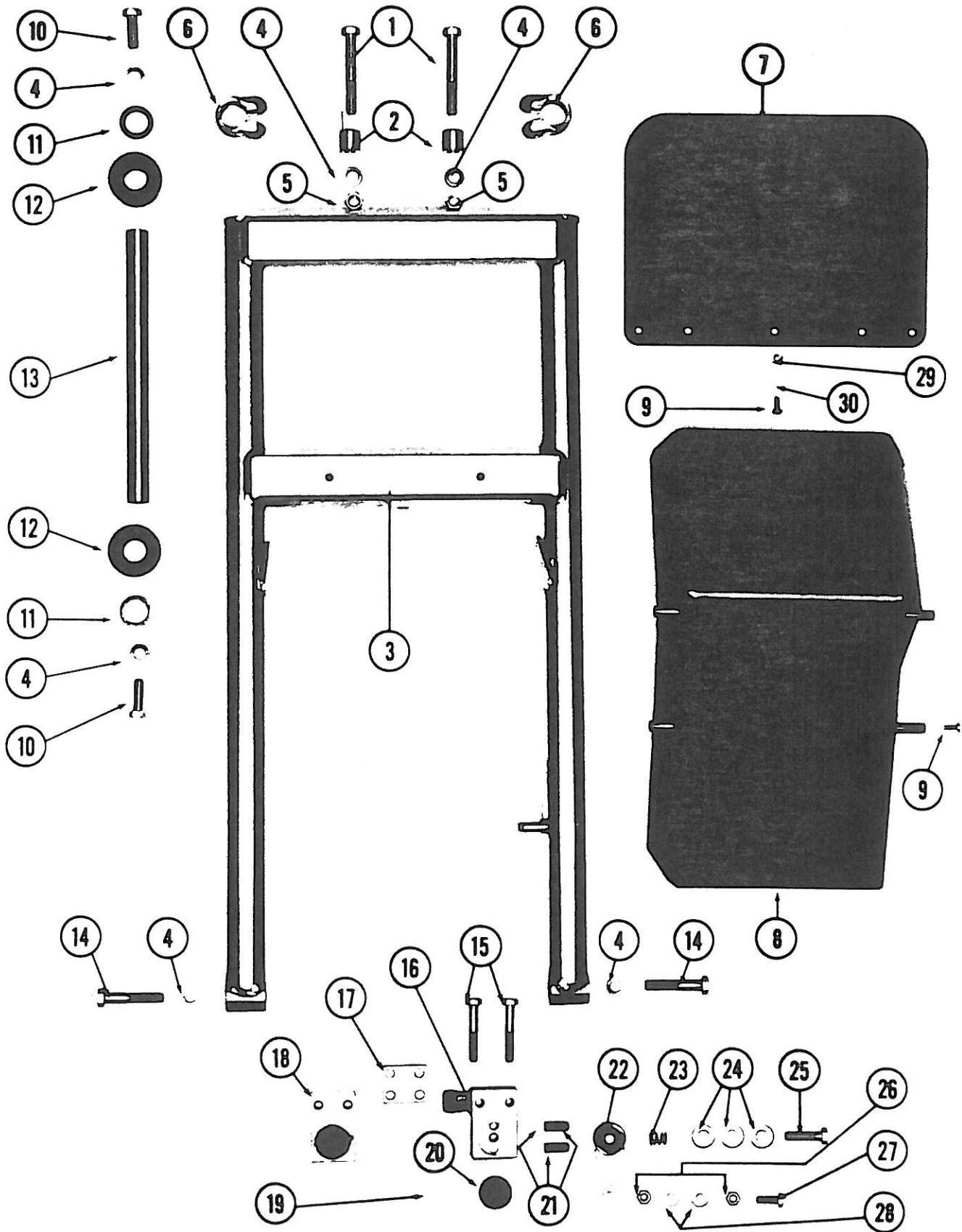
ITEM	PART NO.	NAME	DESCRIPTION	QTY.
1	100573	Screw	$\frac{3}{8}$ — 24 x $1\frac{3}{4}$	2
2	100031	Handle Bar Clamp		2
3	100097	King Pin Bushing		2
4	100818	Front Fork — Welment	MK III Auto.	1
5	100036	Nut	$\frac{3}{8}$ — 24 Jam	2
6	100072	Screw 101181	$\frac{3}{8}$ — 24 x $1\frac{3}{4}$	2
7	100809	Disc Brake Guard		1
8	100509	Screw	$\frac{1}{4}$ — 28 x $\frac{3}{4}$ w/hole	1
9	100169	Nut	$\frac{1}{4}$ — 28 — Hex	2
10	100254	Washer	$\frac{1}{4}$ Flat	2
11	100131	Brake Caliper		1
12	100481	Brake Puck		2
13	100427	Mud Flap		1
14	100165	Washer	± 10 Flat	9
15	100037	Nut	10 — 32 Selflock	9
16	100034	Screw	Pan Hd. 10 — 32 x $\frac{1}{2}$	5
17	100453	Front Fender	Mk III Auto.	1
18	100284	Screw	10 — 32 x $1\frac{1}{4}$	4

* Not Supplied as a single part

X - Assembly

N.S. - Not Shown

FRONT FORK - RT 140



FRONT FORK — RT 140

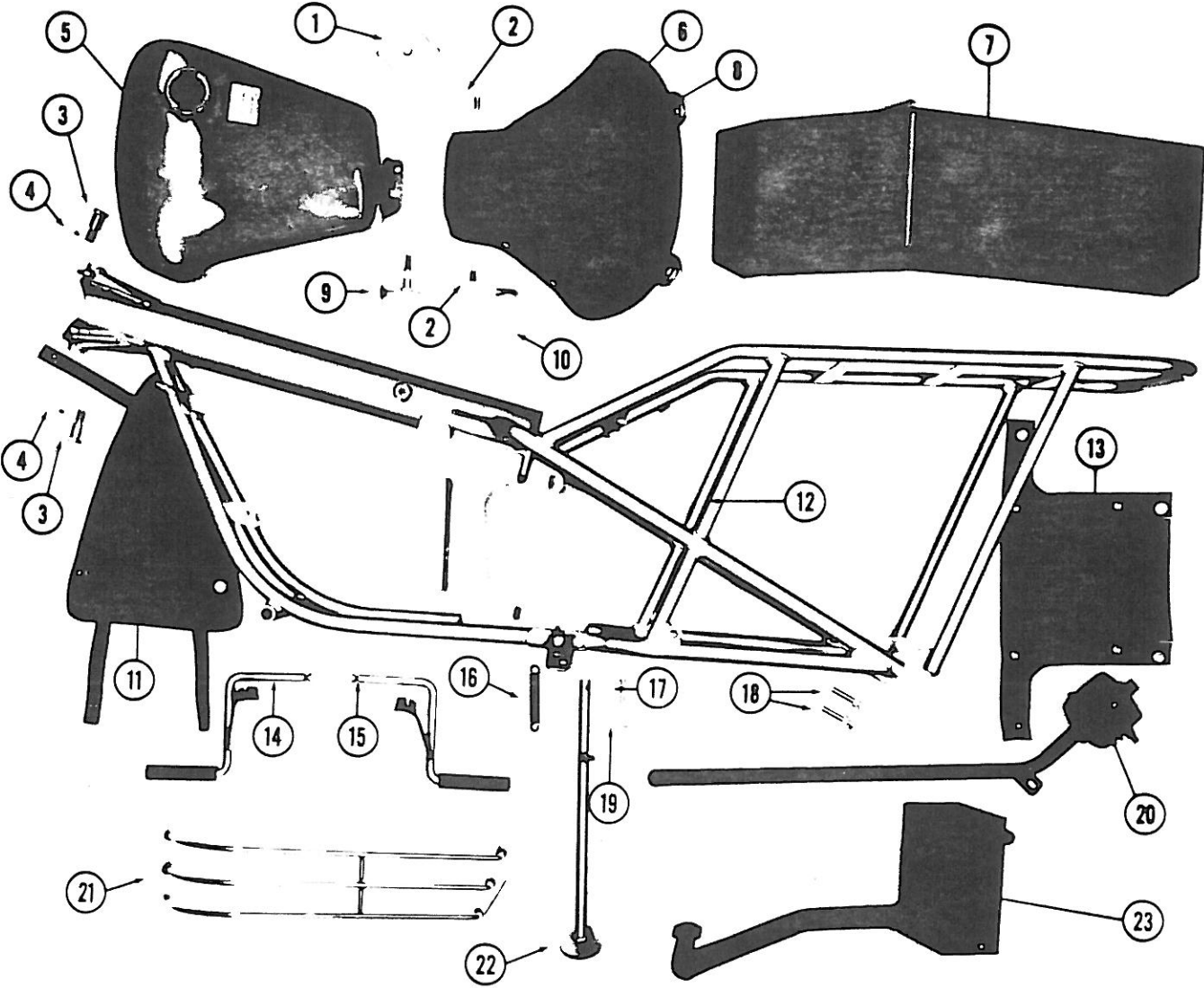
ITEM	PART NO.	NAME	DESCRIPTION	QTY.
1	100571	Screw	$\frac{3}{8}$ — 24 x 2 $\frac{1}{2}$	2
2	100522	Spacer		2
3	100596	Fork	Weldment	1
4	100288	Washer	$\frac{3}{8}$ Spring L/W	6
5	100212	Nut	$\frac{3}{8}$ — 24	2
6	100031	Handle Bar Clamp		2
7	100427	Mud Flap		1
8	100771	Fender	Front	1
9	100034	Screw	10 — 32 x $\frac{1}{2}$	9
10	100214	Screw	$\frac{3}{8}$ — 24 x 1	2
11	100853	Shim		2
12	100772	Wheel Bearing		2
13	100405	Steering Shaft		1
14	100574	Screw	$\frac{3}{8}$ — 24 x 2	2
15	100150	Screw	$\frac{5}{16}$ — 24 x 2	2
16	100146	Caliper Cam Side		1
17	100474	Spacer		1
18	100476	Caliper Wheel Side		1
19	100483	Disc Puck		1
20	100481	Puck	Brake	2
21	100479	Cam Follower		2
22	100135	Cam Lever		1
23	100471	Cam Return Spring		1
24	100207	Washer	$\frac{5}{16}$ — Flat	3
25	100151	Screw	$\frac{5}{16}$ — 24 x 1 $\frac{1}{4}$	1
26	100169	Nut	$\frac{1}{4}$ — 28	5
27	100509	Screw Special	With Hole	1
28	100254	Washer	$\frac{1}{4}$ — Flat	2
29	100037	Nut	10 — 32 — Self Lock	5
30	100165	Washer	=10 Flat	5
31	100388	Front Caliper Assy.	Inc. 15,16,17,18,19,20,21, 22,23,24,25,26,27,28	

* Not Supplied as a single part

X - -Assembly

N.S. - Not Shown

FRAME COMPONENTS - MK III EXP.

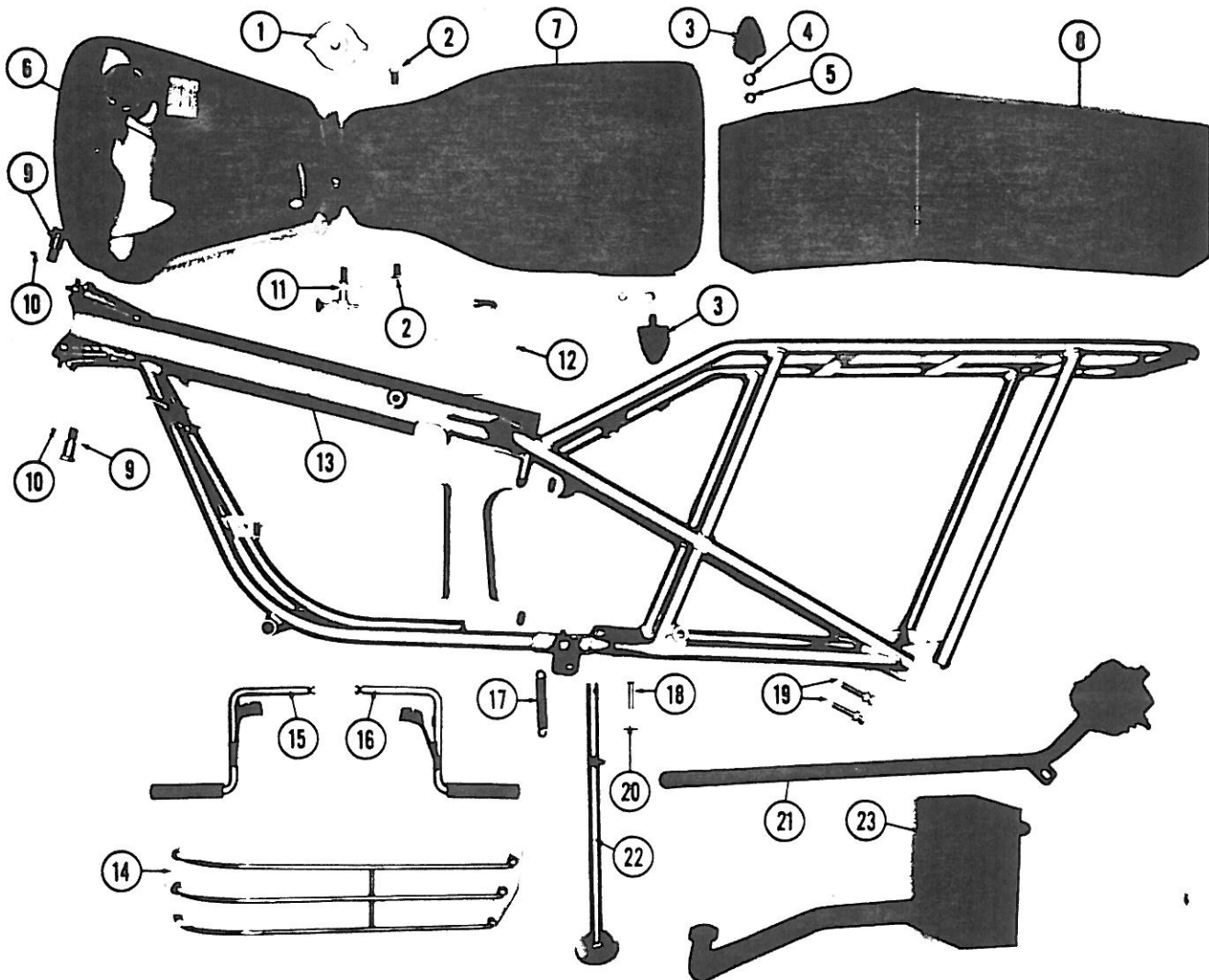


FRAME COMPONENTS — MK III EXP.

ITEM	PART NO.	NAME	DESCRIPTION	QTY.
1	100130	Fuel Tank Cap - (order 100958)		1
2	100572	Screw	$\frac{3}{8}$ — 24 — $\frac{3}{8}$ Hex	2
3	100074	King Pin Bolt 102774		2
4	100198	Set Screw	10 — 32 x $\frac{1}{4}$	2
5	100438	Fuel Tank		1
6	100134	Seat Assy.	Incl. Springs & Hdw.	1
7	100822	Rear Fender		1
8	100133	Seat Spring		2
9	100122	Fuel Valve Shut Off	Push-pull	1
10	100124	Clamp	2 $\frac{5}{16}$ — 3 $\frac{1}{2}$	1
11	100501	Mud Shield	On frame	1
12	100020	Frame	Weldment	1
13	100810	Rear Mud Shield		1
14	100181	Foot Rest	Left — Incl. Rubber	1
15	100180	Foot Rest	Right — Incl. Rubber	1
16	100223	Parking Stand Spring		1
17	100285	Clevis Pin	$\frac{5}{16}$ x $1\frac{3}{8}$	
18	100774	Screw 101181	Rear Wheel Adj.	2
19	100290	Cotter Pin	$\frac{1}{8}$ x $\frac{3}{4}$	1
20	100827	Spark Arrester	Arrester & Tail Pipe — assy.	1
21	100660	Drive Guard		1
22	100386	Parking Stand		1
23	100826	Exhaust System	Flange, Pipe & Muffler	1
24	100118	Fuel Tank Assy.	Incl. Items 1, 9, 5, 25, 26	N.S. 1
25	100193	Decal	Name — Trail Breaker	N.S. 2
26	100503	Decal	Fuel & Shift	N.S. 1
27	100133	Seat Spring Separate		N.S. 2
28	100034	Fender Screw	10 — 32 x $1\frac{1}{2}$	N.S. 5
29	100037	Fender Nut	10 — 32 — Self Lock	N.S. 5
30	100166	Fender Screw — top	$\frac{1}{4}$ — 28 x 1	N.S. 1
31	100169	Fender Nut — top	$\frac{1}{4}$ — 28	N.S. 1
32	100281	Fender Washer — top	$\frac{1}{4}$ Spring L/W	N.S. 1
33	100165	Washer	± 10 Flat	N.S. 5
34	100196	Foot Rest Rubber	All Models	N.S. 2
35	100273	Foot Rest Retaining Screw	10 — 32 x $\frac{1}{4}$ Lock Rest	N.S. 2
36	100275	Foot Rest Retaining Washer	± 10 Internal Tooth	N.S. 2
37	100126	Fuel Tank Mounting — Screw N.S.	$\frac{1}{4}$ — 20 x $\frac{3}{8}$ — Base Mount	2
38	100281	Fuel Tank Mounting Washer N.S.	$\frac{1}{4}$ Spring L/W Base Mount	2
39	100038	Exhaust Manifold Bolts	$\frac{5}{16}$ -18 x 7/8	N.S. 2
40	100163	Spark Arr. Drain Plug	Pipe Plug	N.S. 1

* Not Supplied as a single part X - Assembly N.S. - Not Shown

FRAME COMPONENTS - MK IV STD.



FRAME COMPONENTS — MK IV STD.

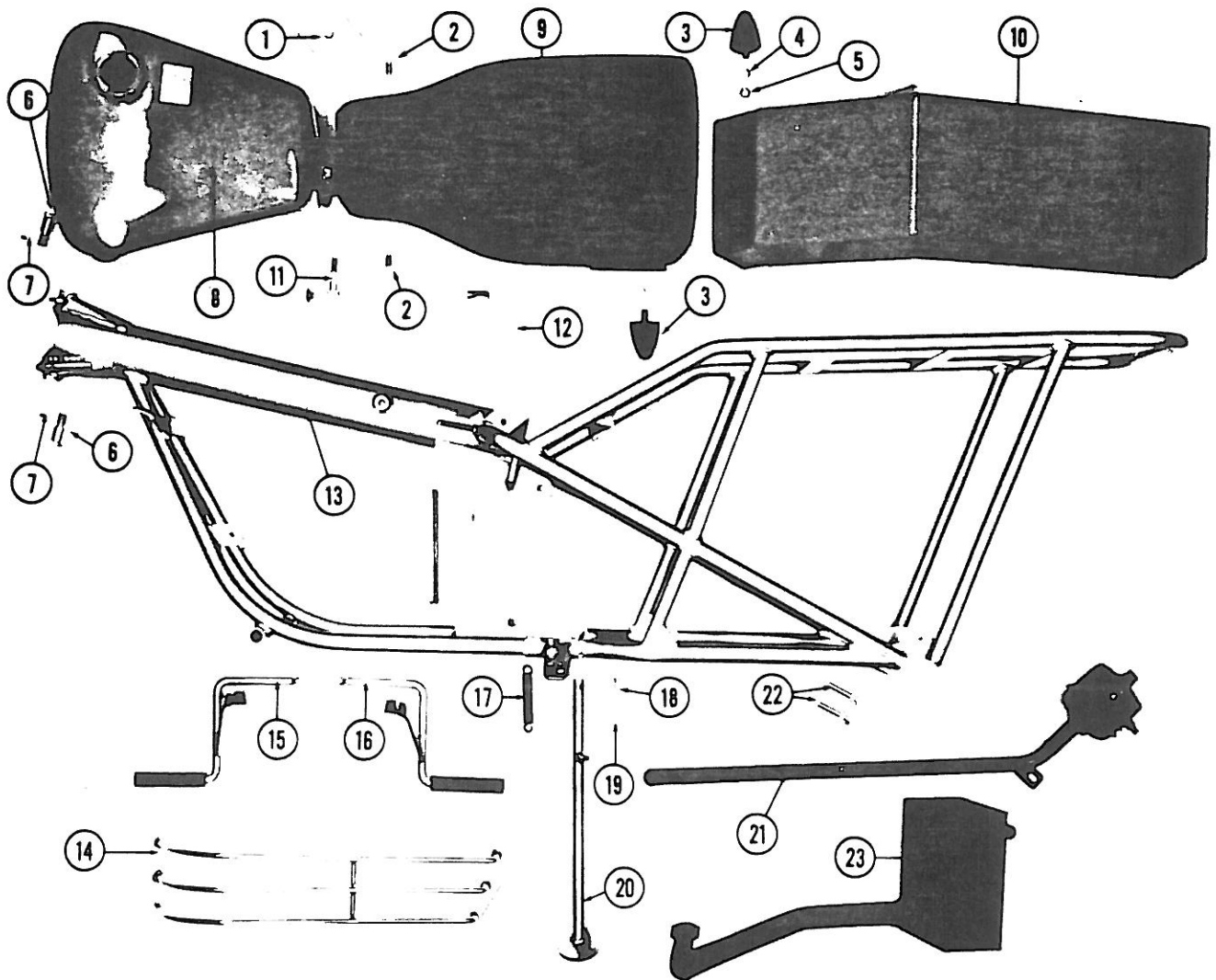
ITEM	PART NO.	NAME	DESCRIPTION	QTY.
1	100130	Fuel Tank Cap - (order 100958)		1
2	100572	Screw	$\frac{3}{8}$ — 24 — $\frac{5}{8}$ Hex	2
3	100548	Seat Spring		2
4	100288	Washer	$\frac{3}{8}$ L W	2
5	100212	Nut	$\frac{3}{8}$ — 24 Hex	2
6	100438	Fuel Tank		1
7	100451	Seat		1
8	100822	Rear Fender		1
9	100224	King Pin Bolt 102774		2
10	100198	Set Screw	10 — 32 x $\frac{1}{4}$	2
11	100122	Fuel Valve Shut Off	Push — Pull	1
12	100124	Clamp	2 5/16 — 3 1/2	1
13	100020	Frame	Weldment	1
14	100660	Drive Guard		1
15	100181	Foot Rest	Left — Incl. Rubber	1
16	100180	Foot Rest	Right — Incl. Rubber	1
17	100223	Parking Stand Spring		1
18	100285	Clevis Pin	5/16 x 1 3/8	1
19	100272	Screw 101181	Rear Wheel Adj.	2
20	100290	Cotter Pin	$\frac{1}{8}$ x $\frac{3}{4}$	1
21	100827	Spark Arrester	Arrester & Tail Pipe Assy.	1
22	100224	Parking Stand		1
23	100826	Exhaust System	Flange, Pipe & Muffler	1
24	100118	Fuel Tank Assy.	Incl. Items 1, 6, 11, 31, 32	N.S.
25	100428	Seat Mounting Bracket		N.S.
26	100340	Seat kit (Custom)	N.S.	Incl. Items 3, 4, 5, 7 & 25
27	100034	Fender Screw	10 — 32 x $\frac{1}{2}$	N.S.
28	100037	Fender Nut	10 — 32 self lock	N.S.
29	100166	Fender Screw — top	$\frac{1}{4}$ — 28 x 1	N.S.
30	100169	Fender Nut — top	$\frac{1}{4}$ — 28	N.S.
31	100281	Fender Washer — top	$\frac{1}{4}$ — spring L/W	N.S.
32	100196	Foot Rest Rubber	All Models	N.S.
33	100193	Decal	Name — Trail Breaker	N.S.
34	100503	Decal	Fuel & Shift	N.S.
35	100273	Foot Rest Retaining Screw	10 — 32 x $\frac{1}{4}$ Locks Rest	N.S.
36	100275	Foot Rest Retaining Washer	#10 Internal Tooth	N.S.
37	100165	Washer	#10 Flat	N.S.
38	100126	Fuel Tank Mounting Screw	$\frac{1}{4}$ — 20 x $\frac{5}{8}$ — Base Mount	N.S.
39	100281	Fuel Tank Mounting Washer	$\frac{1}{4}$ — Spring L/W Base Mount	N.S.
40	100038	Exhaust Manifold Bolts	5/16-18 x 7/8	N.S.
41	100163	Spark Arr. Drain Plug	Pipe Plug	N.S.

* Not Supplied as a single part

X - Assembly

N.S. - Not Shown

FRAME COMPONENTS - MK III AUTO. & MK IV AUTO.



FRAME COMPONENTS — MK III AUTO. & MK IV AUTO.

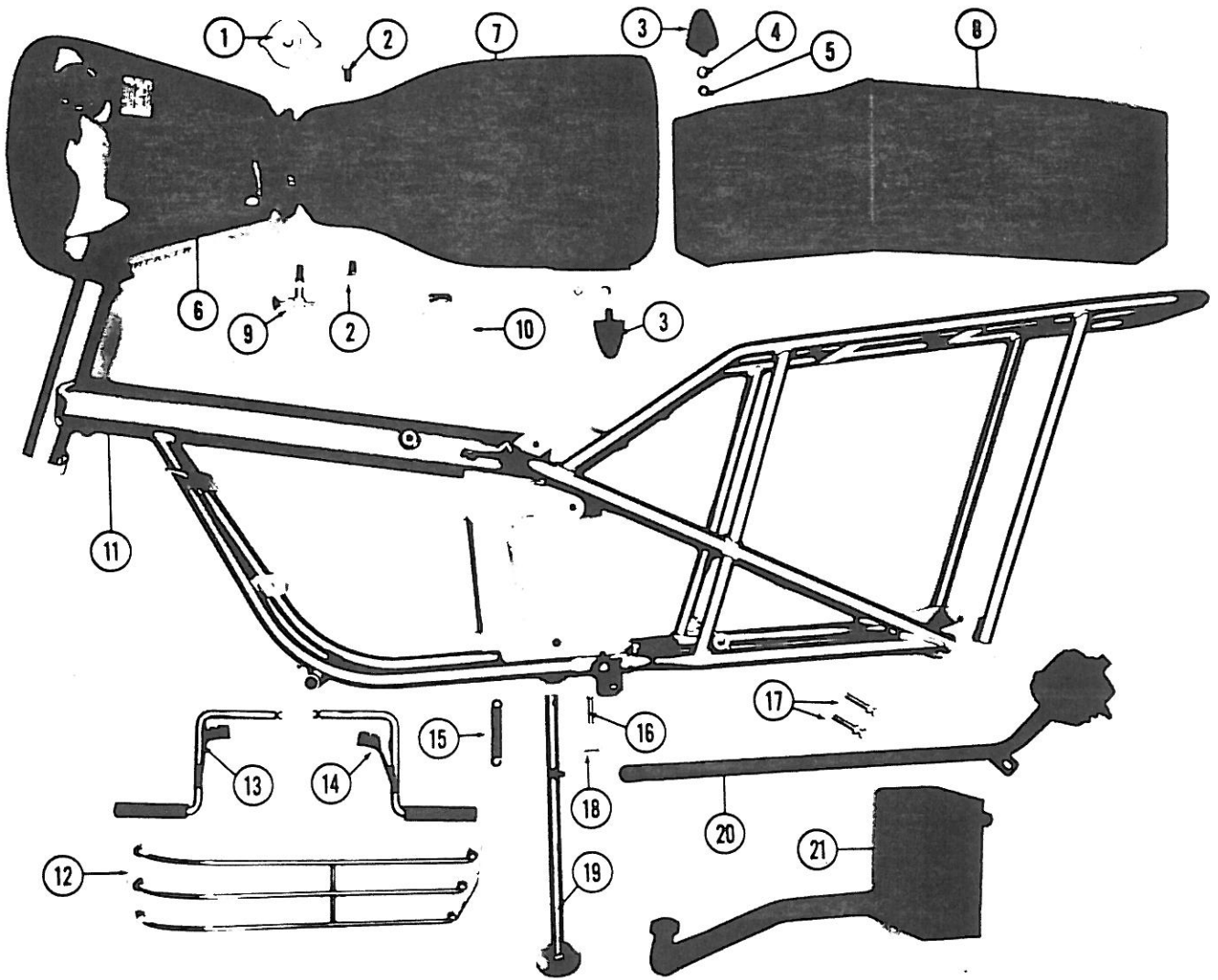
ITEM	PART NO.	NAME	DESCRIPTION	QTY.
1	100130	Fuel Tank Cap - (Order 100958)		1
2	100572	Screw	3/8 — 24 x 5/8 Hex	2
3	100548	Seat Spring		2
4	100288	Washer	3/8 L. W.	2
5	100212	Nut	3/8 — 24 Hex	2
6	100274	King-Pin Bolt 102774		2
7	100198	Set Screw	10 — 32 x 1/4	2
8	100438	Fuel Tank		1
9	100451	Seat		1
10	100822	Rear Fender		1
11	100122	Fuel Valve Shut Off	Push — Pull	1
12	100124	Clamp	2 5/16 — 3 1/2	1
13	100671	Frame	Weldment	1
14	100660	Drive Guard		1
15	100181	Foot Rest	Left — Incl. Rubber	1
16	100180	Foot Rest	Right — Incl. Rubber	1
17	100223	Parking Stand Spring		1
18	100285	Clevis Pin	5/16 x 1 3/8	1
19	100290	Cotter Pin	1/8 x 3/4	1
20	100224	Parking Stand for Mk IVA only	For Mk III A Order 386	1
21	100827	Spark Arrester	Arrester & Tail Pipe Assy.	1
22	100274	Screw 101181	Rear Wheel Adj.	2
23	100826	Exhaust System	Flange, Pipe & Muffler	1
24	100118	Fuel Tank Assy.	Incl. Items 1, 8, 11, 32, 33	N.S.
25	100428	Seat Mounting Bracket		N.S.
26	100340	Seat kit (Custom)	Incl. Items 3, 4, 5, 9, 25	N.S.
27	100034	Fender Screw	10 — 32 x 1/2	N.S.
28	100037	Fender Nut	10 — 32 — self lock	N.S.
29	100166	Fender Screw — top	1/4 — 28 x 1	N.S.
30	100169	Fender Nut — top	1/4 — 28	N.S.
31	100281	Fender Washer — top	1/4 — Spring L/W	N.S.
32	100193	Decal	Name — Trail Breaker	N.S.
33	100504	Decal	Instruction	N.S.
34	100196	Foot Rest Rubber	All Models	N.S.
35	100165	Washer	#10 Flat	N.S.
36	100273	Foot Rest Retaining Screw	10 — 32 x 1/4 locks foot rest	N.S.
37	100275	Foot Rest Retaining Washer	#10 — Internal Tooth	N.S.
38	100126	Fuel Tank Mounting Screw	1/4 — 28 x 5/8 Base Mount	N.S.
39	100281	Fuel Tank Mounting Washer	1/4 Spring L/W Base Mount	N.S.
40	100038	Exhaust Manifold Bolts	5/16-18 x 7/8	N.S.
41	100163	Spark Arr. Drain Plug	Pipe Plug	N.S.

* Not Supplied as a single part

X - Assembly

N.S. - Not Shown

FRAME COMPONENTS - RT 140



FRAME COMPONENTS — RT 140

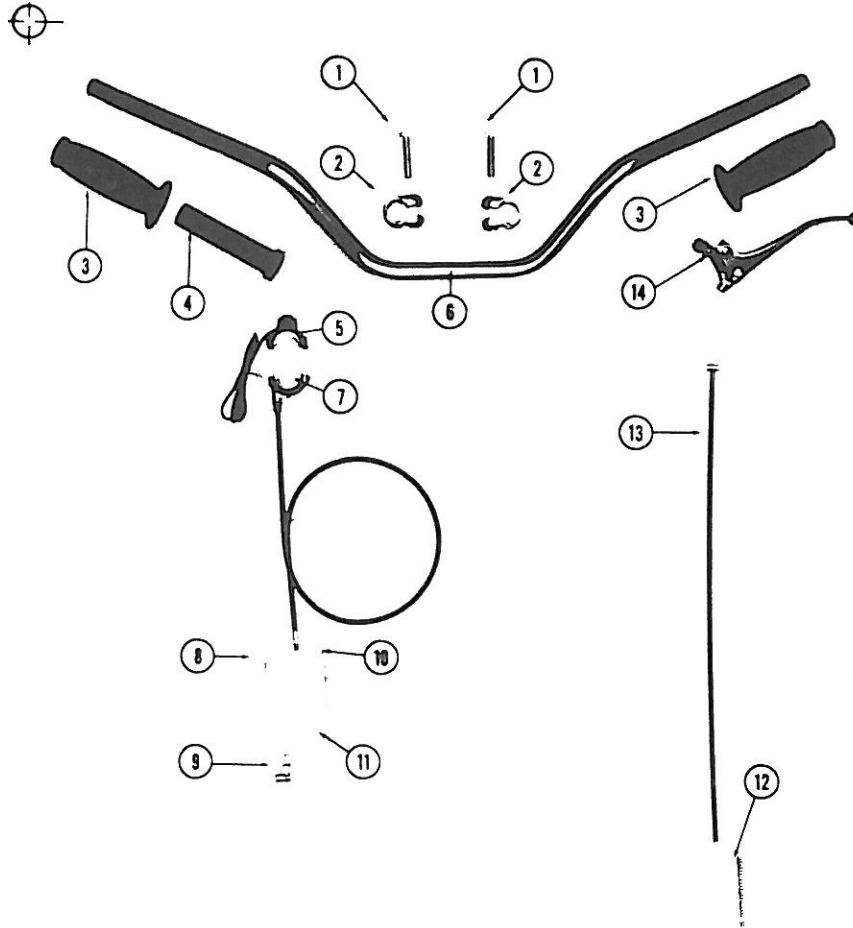
ITEM	PART No.	NAME	DESCRIPTION	QTY.
1	100130	Fuel Tank Cap- (order 100958)		1
2	100572	Screw	$\frac{3}{8}$ — 24 x $\frac{5}{8}$ Hex.	2
3	100548	Seat Spring		2
4	100288	Washer	$\frac{3}{8}$ — L. W.	2
5	100212	Nut	$\frac{3}{8}$ — 24 — Hex	2
6	100438	Fuel Tank		1
7	100451	Seat		1
8	100822	Rear Fender		1
9	100122	Fuel Valve Shut Off	Push-Pull	1
10	100124	Clamp	2 $\frac{5}{16}$ x 3 $\frac{1}{2}$	1
11	100581	Frame	Weldment	1
12	100660	Drive Guard		1
13	100181	Foot Rest	Left — Incl. Rubber	1
14	100180	Foot Rest	Right — Incl. Rubber	1
15	100223	Parking Stand Spring		1
16	100285	Clevis Pin	5/16 x 1 $\frac{3}{8}$	1
17	100573	Screw	Rear Wheel Adj.	2
18	100290	Cotter Pin	$\frac{1}{8}$ x $\frac{3}{4}$	1
19	100224	Parking Stand		1
20	100827	Spark Arrester	Arrester & Tail Pipe Assy.	1
21	100826	Exhaust System	Flange, Pipe & Muffler	1
22	100331	Decal	Name — Rokon Trail 140	N.S. 2
23	100504	Decal	Fuel Only	N.S. 1
24	100428	Seat Mounting Bracket		N.S. 1
25	100340	Seat kit (Custom)	N.S. Incl. Items 3, 4, 5, 7 & 24	1
26	100196	Foot Rest Rubber	All Models	N.S. 2
27	100034	Fender Screw	10 — 32 x $\frac{1}{2}$	N.S. 5
28	100037	Fender Nut	10 — 32 self lock	N.S. 5
29	100166	Fender Screw Top	$\frac{1}{4}$ — 28 x 1	N.S. 1
30	100169	Fender Nut — Top	$\frac{1}{4}$ — 28	N.S. 1
31	100281	Fender Washer — Top	$\frac{1}{4}$ Spring L/W	N.S. 1
32	100165	Washer	#10 Flat	N.S. 5
33	100273	Foot Rest Retaining Screw	N.S. 10 — 32 x $\frac{1}{4}$ locks foot rest	2
34	100275	Foot Rest Retaining Washer	#10 Internal Tooth	N.S. 2
35	100126	Fuel Tank Mounting Screw	N.S. $\frac{1}{4}$ — 20 x $\frac{3}{8}$ Base Mount	2
36	100281	Fuel Tank Mounting Washer	N.S. $\frac{1}{4}$ Spring L/W Base Mount	2
37	100330	Fuel Tank Assy.	Incl. 1, 6, 9, 22, 23	N.S. 1
38	100037	Exhaust Manifold Bolts	5/16-18 x 7/8	N.S. 2
39	100163	Spark Arr. Drain Plug	Pipe Plug	N.S. 1

* Not Supplied as a single part

X - Assembly

N.S. - Not Shown

HANDLE BAR ASSY. - MK III EXP., MK IV STD., MK IV AUTO.



HANDLE BAR ASSY. — MK III EXP., MK IV STD., MK IV AUTO.

ITEM	PART NO.	NAME	DESCRIPTION	QTY.
1	100573	Screw	$\frac{3}{8}$ — 24 x $1\frac{3}{4}$	2
2	100031	Handle Bar Clamp		2
3	100071	Grips		2
4	100842	Plastic Handle		1
5	100862	Kill Button Assy.		1
6	100466	Handle Bar		1
7	100861	Throttle Cable Assy.	as shown	1
8	100864	Throttle Cable Stop		1
9	100863	Throttle Shaft Linkage		1
10	*	Nut	$\frac{1}{4}$ — 20	1
11	100559	Throttle Spring		1
12	100788	Brake Spring	Front — Dual	1
13	100015	Brake Cable	Front — Dual	1
14	100269	Brake Lever		1
15	100448	Cable Ties	to secure cables	N.S.
16	100192	Kill Button	Earlier Models 65 — 71	N.S.
17	100860	Twist Grip Assy.	Incl. Items 4, 5, 7 & 10	N.S.
18	100296	1972 Throttle Cable Conversion	Incl. 8, 9, 11, & 17	
19	100297	1972 Handle Bar Conversion	Incl. 6, 8, 11, 12, 13 & 17 (and 100509 N.S.)	
20	100014	Rear Brake Cable	Mk IV Auto	N.S.
21	200940	Rear Brake Kit	For Auto only	N.S.
22	100283	Screw, TH Cable Stop	Self Tap	N.S.

* Not Supplied as a single part

X - Assembly

N.S. - Not Shown