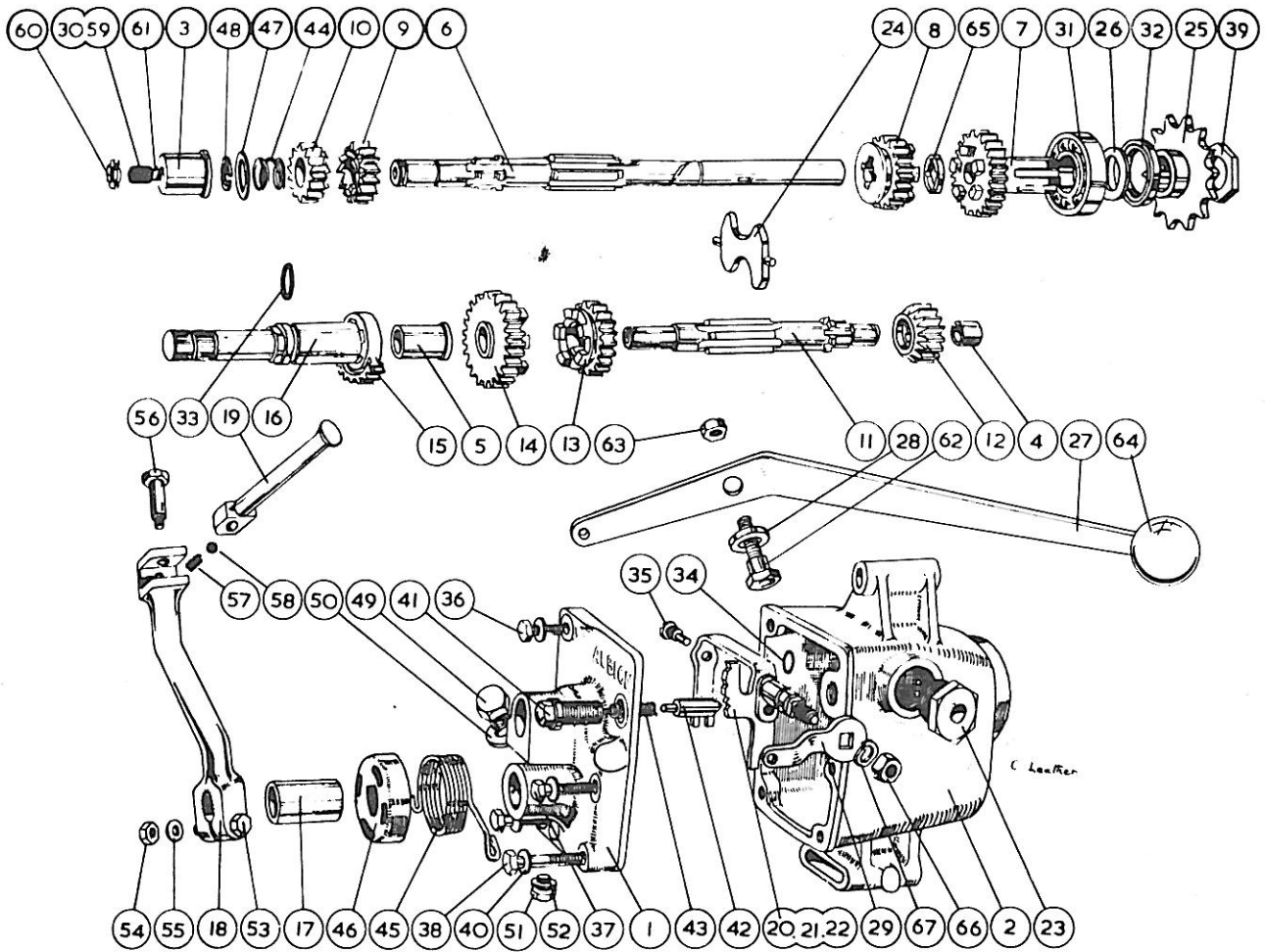


TRANSMISSION - MK III EXP. - MK IV STD.



TRANSMISSION — MK III EXP. — MK IV STD.

ITEM	PART NO.	NAME	DESCRIPTION	QTY.
1	EJ 1	Cover		
2	EJ 2/P	Case — pivot fixing		
3	EJ 13	Mainshaft adjuster bush		
4	EJ 7	Layshaft box bush		
5	EJ 30	Layshaft bush — inner segment		
6	EJ 3	Mainshaft	Special, Rokon	
7	EJ 4	Mainshaft high gear pinion 22.T		
8	EJ 8	Mainshaft sliding gear 18.T		
9	EJ 28	Mainshaft low gear pinion 13.T		
10	EJ 29/1	Kickstart ratchet pinion 14.T		
11	EJ 6	Layshaft		
12	EJ 5	Layshaft high gear pinion 14.T		
13	EJ 9	Layshaft sliding gear 18.T		
14	EJ 10	Layshaft low gear pinion 23.T		
15	EJ 27/1	Kickstart segment		

TRANSMISSION — MK III EXP. — MK IV STD. (cont.)

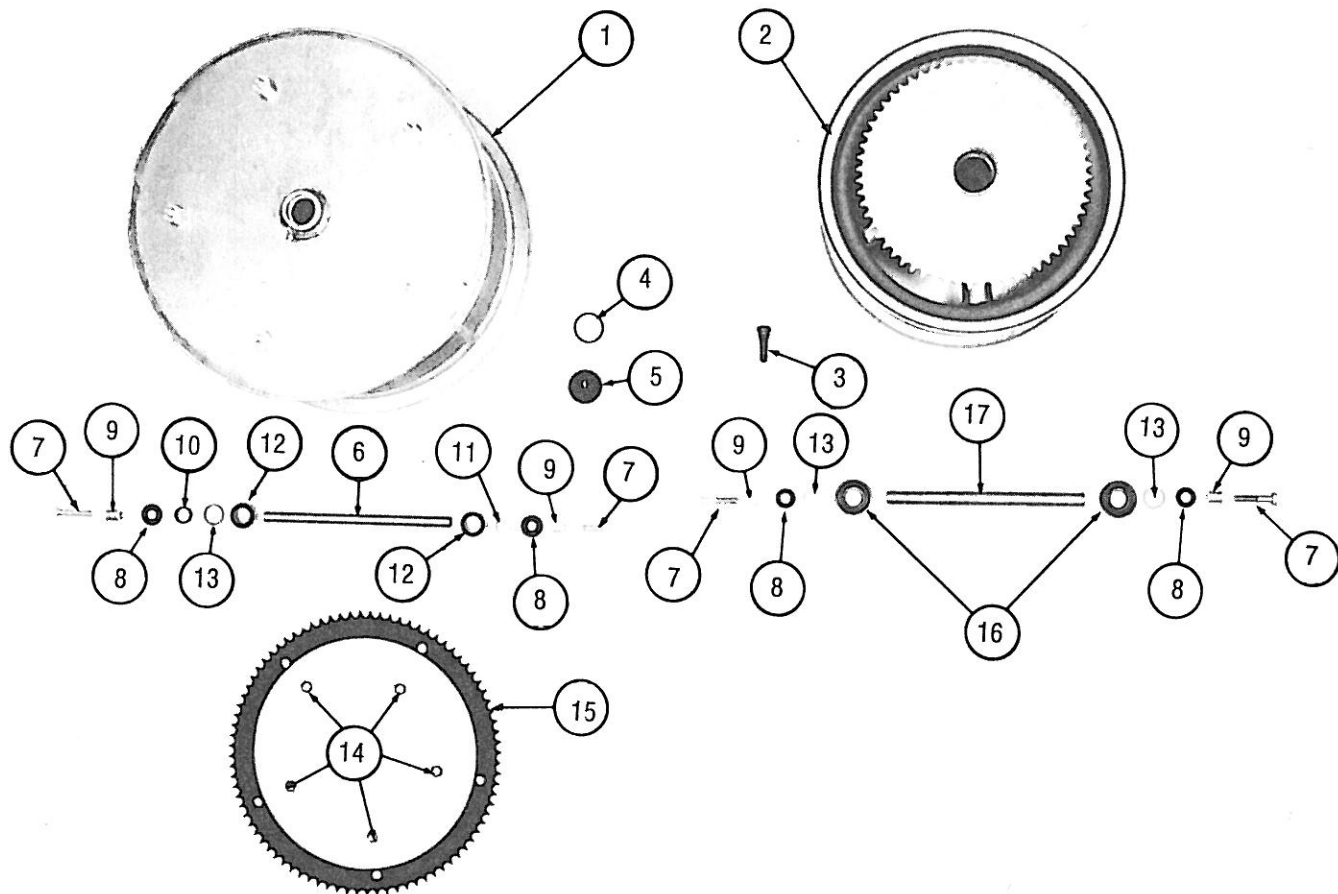
ITEM	PART NO.	NAME	DESCRIPTION	QTY.
16	EJ 34	Kickstart shaft	serrated	
17	EJ 34a	Kickstart shaft distance tube		
18	CJ 8	Kickstart crank		
19		Kickstart crank pedal		
20	EJ 11/12	Inside operator — bow	see note #5	
21	EJ 11/12	Inside operator — shaft	see note #5	
22	EJ 11/12	Inside operator — shaft rivet	see note #5	
23	EJ 14	Operator bush	see note #5	
24	EJ 16	Operator fork		
25	BJ 126	Final drive sprocket	14.T 1/2" x 305"	
26		Sprocket spacer		
27	100241	Control lever	BJ 11	
28	100242	Control lever spacer		
29	EJ 47c	Side lever		
30		Hardened pad	see note #6	
31	A 5	Ballrace	20 x 47 x 14 m/m 120.V2	
32	A 35/1	Oilseal	1 5/8" x 1 5/32" x 3/16"	
33		O - Ring	5/8"	
34	EJ 13	O - Ring	R.2068/P.S.	
35	EJ 15	Anchor pin		
36	EJ 23	Cover pin	1/4" x 20 x 9/16" hex head	
37	EJ 23	Cover pin (3 per transmission)	1/4" x 20 x 1" hex head	
38	EJ 23	Cover pin	1/4" x 20 x 13/16" hex head	
39	A 14	Sprocket lock nut		
40		Washer	1/4" dia. (5 per transmission)	
41	BJ 16	Plunger box		
42	BJ 18	Plunger		
43	BJ 17	Plunger spring		
44	C 15	Kickstart ratchet spring		
45	CJ 7	Kickstart return spring		
46	CJ 6	Kickstart return spring cover		
47	C 124	Mainshaft washer		
48	C 124	Split ring		
49	BJ 23	Filler plug	7/16" whit	
50	BJ 23a	Fiber washer	11/16" x 29/64" x 5/64"	
51	A 24	Drain plug	5/16" whit	
52	A 24a	Fiber washer	9/16" x 5/16" x .080"	
53	C 115	Kickstart crank pin		
54	C 115	Kickstart crank pin nut		
55	C 115	Crank pin washer	5/8" x 5/16" x 1/16"	
56	100668	Crank pedal pin	see note #7	
57		Crank pedal spring	see note #7	
58		Crank pedal ball	1/4" dia. (see note #7)	
59	C 132	Barrel adjuster	see note #6	
60	C 133	Barrel adjuster nut		
61		Ball	17/64" dia. (see note #6)	
62	100243	Shoulder pin	EJ-35	
63	100244	Nut	5/16" x 26	
64	G 91a	Knob	black 1 1/2" dia.	
65	EJ 36	Thrust washer		
66	EJ 48	Operator nut	3/8" x 26 x 5/16"	
67	EJ 48	Washer	3/8" x single coil	

* Not Supplied as a single part

X - Assembly

N.S. - Not Shown

**WHEEL COMPONENTS — DRIVE
ALL MODELS**

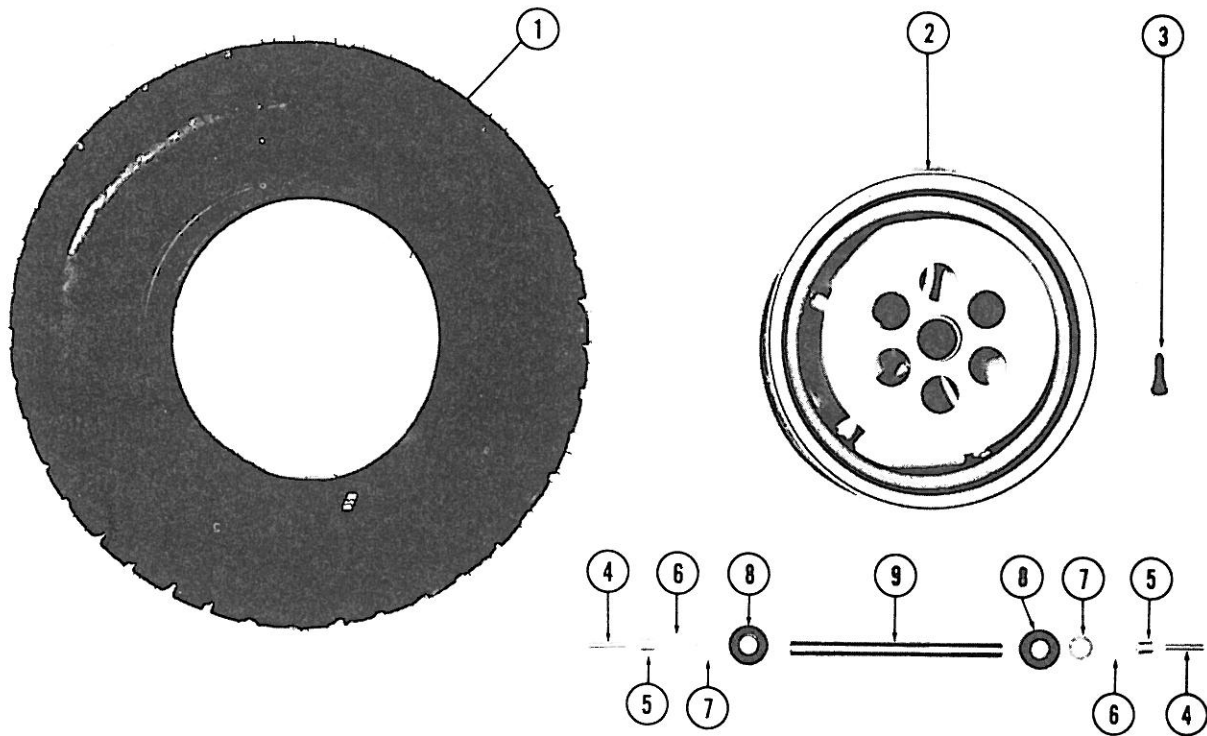


**WHEEL COMPONENTS — DRIVE
ALL MODELS**

ITEM	PART NO.	NAME	DESCRIPTION	QTY.
1	100441	Wheel	15"	2
2	100116	Wheel	12"	2
3	100542	Valve Core	TR-413	2
4	100516	O-Ring		2
5	100523	Filler Plug	Aluminum	2
6	100512	Axle		2
7	101181	Bolt, Axle	$\frac{3}{8}$ -24 x $1\frac{1}{4}$ "	4
8	100208	Washer	$\frac{3}{8}$ " Flat	4
9	100522	Axle Spacer		NR
10	*	Wheel Spacer (sprk & side)	100757, 100569, 100789 .031 .062	1 1
11	100755	Wheel Spacer		1
12	100517	Wheel Bearing	Sealed	4
13	100853	Shim	.125	2
14	100547	Lock Nut	McLean 22UTFJ3824	10
15	100510	Sprocket	84T	2
16	100772	Wheel Bearing	Sealed	4
17	100405	Axle		2
18	100500	Wheel Assy.	Incl. Items 1, 4, 5, 6, 7, 8, 9, 10, 11, 12, 13, 14, 15, 19, 20	
19	100520	Tire 6.70 x 15 2 ply		
20	100521	Tube 6.70 x 15		
21	100836	Tire 8.50 x 12, Hy-Lander		
22	100541	Firestone Implement Tire		

* Order from description

WHEEL COMPONENTS - RT 140 FRONT



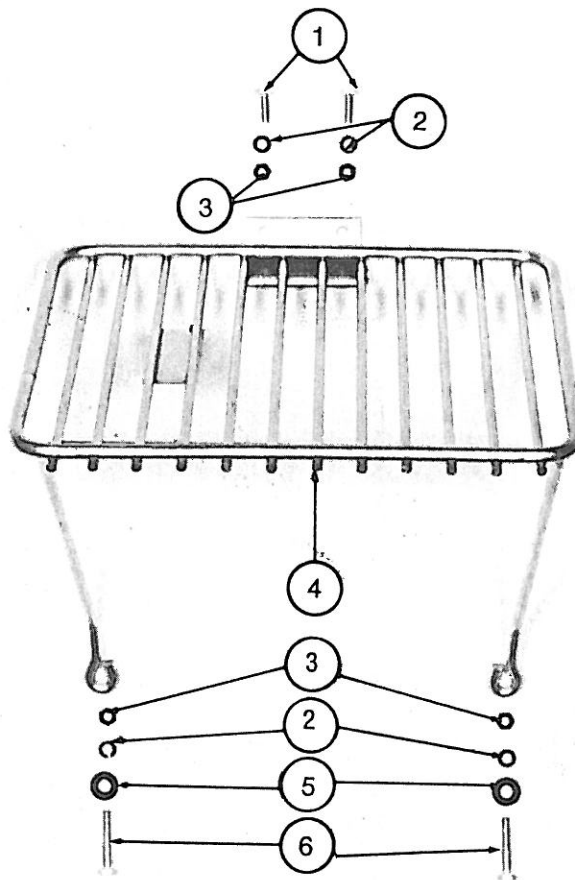
WHEEL COMPONENTS — RT 140 FRONT

ITEM	PART NO.	NAME	DESCRIPTION	QTY.
1	100836	Tire	8.50 x 12 Hy - Lander	1
2	100391	Wheel	Front	1
3	100542	Valve	TR — 413	1
4	100574	Bolt (axle)	$\frac{3}{8}$ — 24 x 2" — Hex — HD.	2
5		Spacer	Not Required	2
6	100208	Washer	$\frac{3}{8}$ Flat	2
7	100853	Shim	.125 thick	2
8	†100772	Bearing	Wheel	2
9	100405	Axle	Front & Rear	2
10	100390	Wheel Assy. (front)	Incl. items 1, 2, 3, 8	1
11	100983	Flanged Wheel Bearing Kit	(Replaces 100406 Flange Bearing 100299 Shielded Bearing w/ Snap Ring which are now Obsolete.)	1

* Not Supplied as a single part

† For flanged wheel bearings —
order item 11.

FRONT CARGO RACK



FRONT CARGO RACK

ITEM	PART NO.	NAME	DESCRIPTION	QTY.
1	100168	Screw	$\frac{1}{4}$ -28 x 3"	2
2	100281	Lock Washer	$\frac{1}{4}$ " Spring	4
3	100169	Nut	$\frac{1}{4}$ -28	4
4	100423	Front Cargo Rack		1
5	100254	Washer	$\frac{1}{4}$ " Flat	2
6	100170	Screw	$\frac{1}{4}$ -28 x 1 $\frac{1}{2}$ "	2
7	100892	Front Cargo Rack Kit	Incl. Items 1-6 as Shown	1